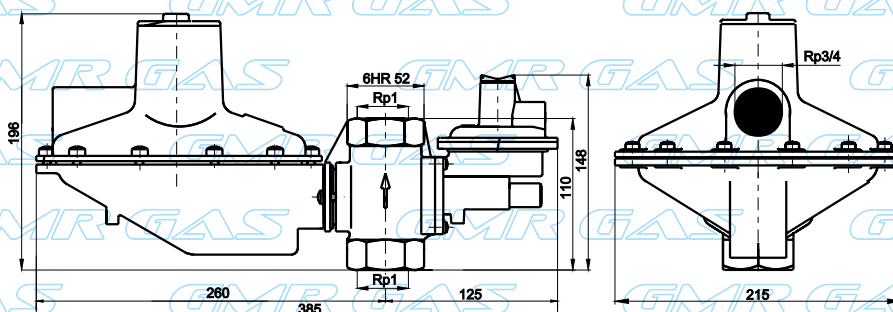


GMR GAS®

TRADITIONAL CZECH MANUFACTURER

OF REGULATING EQUIPMENT FOR GAS INDUSTRY



NATURAL GAS PRESSURE REGULATOR

AI-28

Use

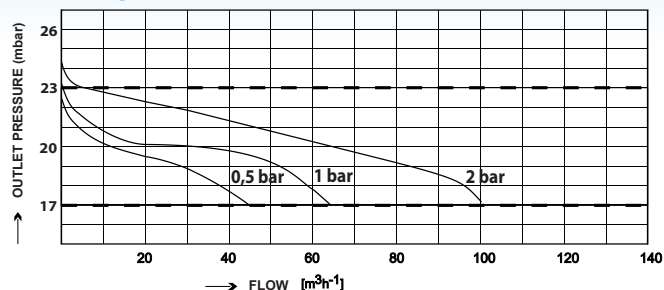
Gas pressure regulator AI-z8 is designed for a one-level independent regulation of the natural gas pressure to a lower output pressure. Output pressure is maintained at a specified tolerance with respect to the quantity of gas withdrawn, fluctuations in gas pressure in the pipeline and other adverse influences.

Advantages

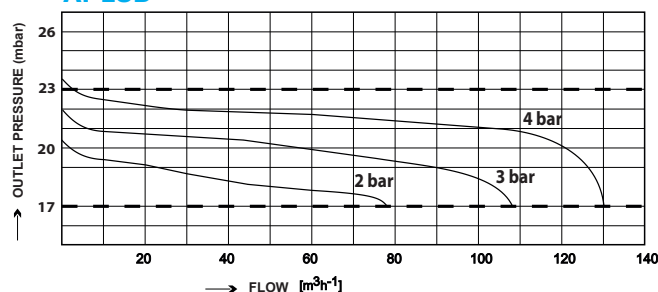
- valve body made of grey cast iron, other castings made of aluminium alloys
- shutoff valve body may be rotated 90° and the regulator body continuously 0° to 360°
- built-in safety valve
- built-in shutoff valve closes permanently the flow of gas into the regulator when gas pressure decreases below or increases over the limit and its design prevents interaction with the regulatory part of the regulator
- easily dismantled and repaired
- service provided
- equipped with sampling point for the control of output pressure
- regulator parts made of gas-resistant material
- regulator includes a sieve which prevents dirt entering the regulator
- depending on the required direction of flow the regulator may be installed into several positions – for the flow from bottom to top, from top to bottom and horizontal flow (from right or left). The plane of membranes must be horizontal and the springs must be at the top.
- using flanges, this regulator allows a simple replacement (no assembly modification) for regulator of Alz-6U type (matching flanges and area dimensions).
- the regulator functions reliably also in lower input pressure from 0.2 bar

Regulator flow characteristics

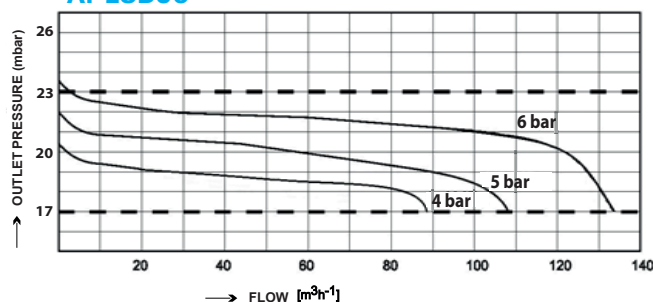
AI-z8A



AI-z8B



AI-z8B06



Ordering chart

Order number	Item (Type)	Surface adjustment (Material)
600160	AI-z8A	Corrosion protection of steel structures by protective paint system
600170	AI-z8B	
600180	AI-z8B06	
600240	AI-z8AX	
600250	AI-z8BX	
600260	AI-z8BX06	

Basic Technical Data

Type	Inlet pressure P_v bar	Outlet pressure P_r mbar	Closing pressure P_u mbar Class SZ10	Protection pressure P_p mbar	Safety pressure P_b mbar	Minimal flow Q_{min} m ³ ·h ⁻¹	Maximal flow Q_{max} m ³ ·h ⁻¹	Weight kg	
Regulation class AC 15									
AI-z8A	0,5 - 2	20 ± 0,3	< 26	29 - 35	$P_b \max$ 36 - 50 $P_b \min$ 5 - 15	30	90	5,4	
AI-z8B	2 - 4	20 ± 0,3	< 26	29 - 35	$P_b \max$ 36 - 50 $P_b \min$ 5 - 15	60	120		
AI-z8B06	4 - 6	20 ± 0,3	< 26	29 - 35	$P_b \max$ 36 - 50 $P_b \min$ 5 - 15	80	125		
For atypical adjustment (AX and BX), the output overpressure can be adjusted to the customer's requirements									
AI-z8AX	0,5 - 2	20-50(100) ±15%	1,25 p_r	1,5 p_r	$P_b \max \leq 45-100(150)$ $P_b \min \geq 5$	30	90		
AI-z8BX	2 - 4	20-50(100) ±15%	1,25 p_r	1,5 p_r	$P_b \max \leq 45-100(150)$ $P_b \min \geq 5$	60	120		
AI-z8BX06	4 - 6	20-50(100) ±15%	1,25 p_r	1,5 p_r	$P_b \max \leq 45-100(150)$ $P_b \min \geq 5$	80	125		

These parameters are guaranteed on the manufacturer's testing facilities that meet the requirements of the state testing center, ČSN EN 12279 and TDG 60903.